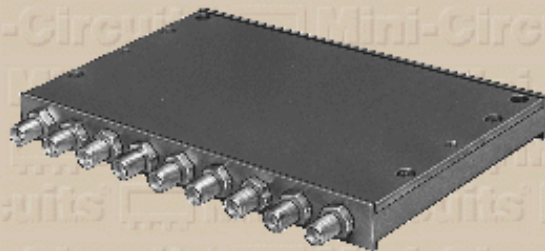


# Power Splitter



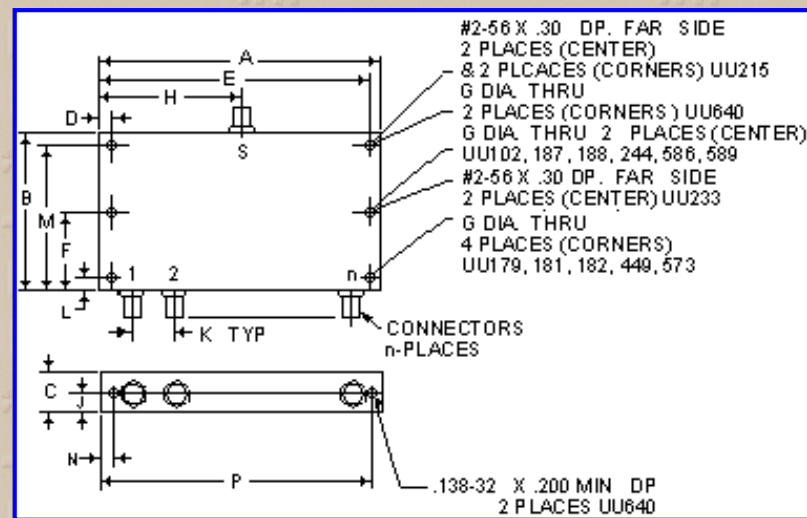
## Notes:

- Non-catalog model. Please consult factory for price and delivery.
- General Quality Control Procedures and Environmental Specifications are given in [Mini-Circuits Guarantees Quality](#). Hi-Rel, MIL description are given in [Hi-Rel and MIL](#)
- Prices and Specifications subjects to change without notice.

## ZC8PD-ED8435/3 8 Way-0°

Frequency MHz	Isolation, dB						Insertion Loss, dB Above 9.0dB						Phase Unbalance Degrees			Amplitude Unbalance, dB		
	L		M		U		L		M		U		L	M	U	L	M	U
$f_L - f_U$	Typ.	Min.	Typ.	Min.	Typ.	Min.	Typ.	Max.	Typ.	Max.	Typ.	Max.	Max.	Max.	Max.	Max.	Max.	
200-1050																		

L=low range( $f_L$  to  $10f_L$ ) M=mid range( $10f_L$  to  $f_U/2$ ) U=upper range( $f_U/2$  to  $f_U$ )



FREQ (MHz)	Insertion Loss						Amplitude Unbalance (dB)	Isolation				Phase Unbalance (Degrees)	FREQ (MHz)	VSWR S	VSWR 1	VSWR 8
	(dB) S-1	(dB) S-2	(dB) S-3	(dB) S-4	(dB) S-6	(dB) S-8		(dB) 1-2	(dB) 1-8	(dB) 3-4	(dB) 5-6					
200.00	9.43	9.43	9.35	9.33	9.53	9.40	0.200	12.94	26.73	13.05	13.09	1.34	200.00	1.24	1.15	1.15
213.00	9.46	9.46	9.39	9.37	9.58	9.43	0.210	13.75	27.52	13.85	13.89	1.13	213.00	1.28	1.14	1.14
226.00	9.46	9.47	9.39	9.37	9.59	9.44	0.220	14.57	28.39	14.66	14.69	0.93	226.00	1.27	1.13	1.13
239.00	9.46	9.45	9.39	9.36	9.58	9.43	0.210	15.42	29.36	15.51	15.54	0.73	239.00	1.24	1.12	1.11
252.00	9.44	9.44	9.36	9.34	9.56	9.41	0.220	16.35	30.39	16.44	16.47	0.67	252.00	1.18	1.11	1.10
265.00	9.43	9.42	9.36	9.34	9.53	9.40	0.200	17.42	31.51	17.51	17.54	0.73	265.00	1.11	1.09	1.08
278.00	9.42	9.43	9.35	9.33	9.52	9.40	0.190	18.64	32.74	18.75	18.78	0.87	278.00	1.04	1.08	1.07
291.00	9.44	9.44	9.37	9.34	9.50	9.41	0.160	20.06	34.08	20.19	20.22	0.88	291.00	1.04	1.06	1.06
304.00	9.47	9.47	9.38	9.35	9.50	9.43	0.150	21.68	35.59	21.85	21.88	0.84	304.00	1.11	1.05	1.05
317.00	9.50	9.49	9.41	9.38	9.51	9.46	0.130	23.52	37.27	23.75	23.78	0.88	317.00	1.17	1.05	1.05
330.00	9.53	9.53	9.45	9.42	9.53	9.49	0.110	25.64	39.21	25.94	25.94	0.84	330.00	1.22	1.04	1.05
340.00	9.54	9.54	9.46	9.43	9.53	9.49	0.120	27.44	40.84	27.80	27.82	0.85	340.00	1.24	1.05	1.05
360.00	9.56	9.56	9.46	9.45	9.52	9.52	0.120	31.48	44.49	31.92	32.01	0.78	360.00	1.26	1.05	1.06
380.00	9.56	9.57	9.48	9.46	9.52	9.52	0.130	35.06	47.29	34.80	35.48	0.81	380.00	1.22	1.06	1.07
400.00	9.55	9.54	9.47	9.44	9.49	9.51	0.120	35.08	46.55	33.70	34.80	0.72	400.00	1.15	1.06	1.08
470.00	9.59	9.59	9.55	9.51	9.55	9.54	0.090	31.13	40.70	29.85	30.28	0.84	470.00	1.18	1.09	1.09
530.00	9.64	9.64	9.60	9.56	9.62	9.58	0.080	33.24	40.36	35.24	34.79	1.06	530.00	1.19	1.07	1.07
630.00	9.70	9.70	9.65	9.61	9.66	9.63	0.090	29.02	49.02	31.78	31.95	1.05	630.00	1.14	1.03	1.02
650.00	9.72	9.73	9.66	9.62	9.68	9.64	0.100	30.41	54.51	33.16	33.31	1.00	650.00	1.16	1.03	1.03
670.00	9.74	9.74	9.67	9.64	9.69	9.66	0.100	32.63	62.10	35.08	35.04	1.01	670.00	1.15	1.03	1.02
690.00	9.75	9.75	9.69	9.66	9.70	9.65	0.100	35.12	54.79	36.25	35.72	0.99	690.00	1.13	1.03	1.02
710.00	9.76	9.76	9.71	9.68	9.71	9.67	0.100	36.39	49.65	35.85	34.90	1.02	710.00	1.10	1.02	1.03
730.00	9.77	9.77	9.72	9.68	9.72	9.66	0.120	36.06	46.67	35.09	34.03	1.02	730.00	1.09	1.02	1.04
750.00	9.79	9.79	9.74	9.70	9.74	9.67	0.110	35.70	44.88	35.20	34.00	0.99	750.00	1.09	1.03	1.05

Case Style - UU640 (inch,mm) weight: 450 grams.

A	B	C	D	E	F	G	H	J
8.50	4.00	.50	.170	8.330	.201	4.25	.19	
215.900	101.600	12.700	4.318	211.582	5.105	107.950	4.826	
K	L	M	N	P	Q	R	S	T
.500		3.830	.150	8.350				
12.700		97.282	3.810	212.090				

Tolerance: .x ± .1 .xx ± .03 .xxx ± .015 inch.

Material and Finish:

Case material: aluminum alloy. Finish: iridite per MIL-C-5541

Connectors:  
Connectors: Female SMA only.

800.00	9.82	9.82	9.78	9.74	9.76	9.69	0.140	35.74	43.10	39.18	37.40	1.11	800.00	1.05	1.03	1.07
865.00	9.88	9.89	9.84	9.78	9.78	9.71	0.180	33.84	46.09	38.10	38.13	1.20	865.00	1.08	1.05	1.08
900.00	9.93	9.94	9.89	9.83	9.81	9.73	0.200	37.65	51.44	48.62	47.13	1.15	900.00	1.10	1.06	1.08
950.00	9.96	9.98	9.93	9.86	9.80	9.74	0.240	33.27	43.65	33.22	32.51	1.27	950.00	1.02	1.06	1.07
1000.00	10.06	10.07	10.01	9.94	9.81	9.78	0.300	24.93	36.03	25.31	25.22	1.37	1000.00	1.20	1.05	1.06
1020.00	10.14	10.15	10.10	10.02	9.85	9.84	0.320	22.55	33.98	22.94	23.04	1.48	1020.00	1.31	1.06	1.08
1040.00	10.22	10.25	10.18	10.09	9.90	9.90	0.360	20.47	32.23	20.81	21.01	1.61	1040.00	1.44	1.08	1.11
1050.00	10.29	10.31	10.25	10.15	9.95	9.96	0.380	19.56	31.47	19.87	20.09	1.70	1050.00	1.52	1.10	1.13



**Mini-Circuits**<sup>®</sup>

INTERNET <http://www.minicircuits.com>

P.O. Box 350166, Brooklyn, New York 11235-0003 (718) 934-4500 Fax (718) 332-4661

Distribution Centers NORTH AMERICA 800-654-7949 • 417-335-5935 • Fax 417-335-5945 • EUROPE 44-1252-832600 • Fax 44-1252-837010

ISO 9001 CERTIFIED

[Back](#)

# i2 Technologies US, Inc.

## HTML Pages converted to PDF Document

This document contains component information from the manufacturer's website which are not available in a revision controlled document from the manufacturer. To facilitate the addition of these parts into the Electronics Database, we are converting the HTML pages related to that part, from the manufacturer's website into Adobe PDF format. The contents of this document is based on the information provided on the manufacturer's website, therefore the information may have been changed by the manufacturer since this was created.

